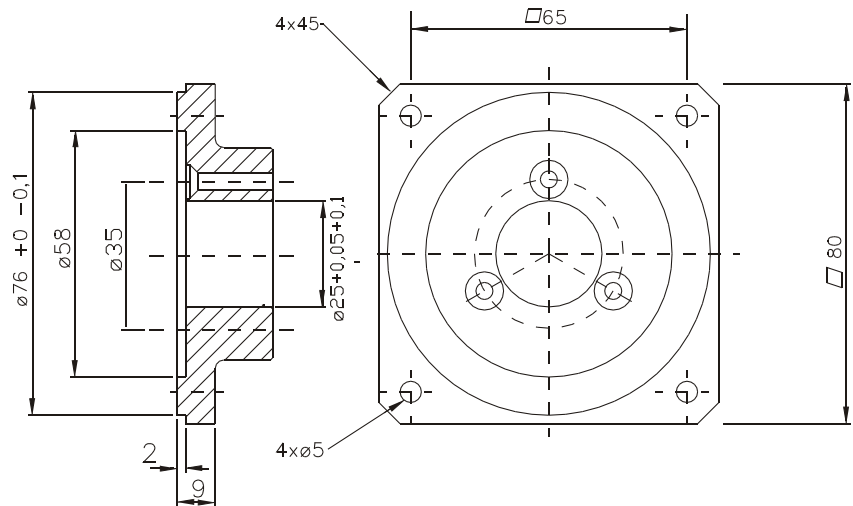
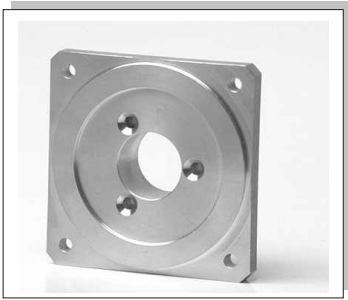
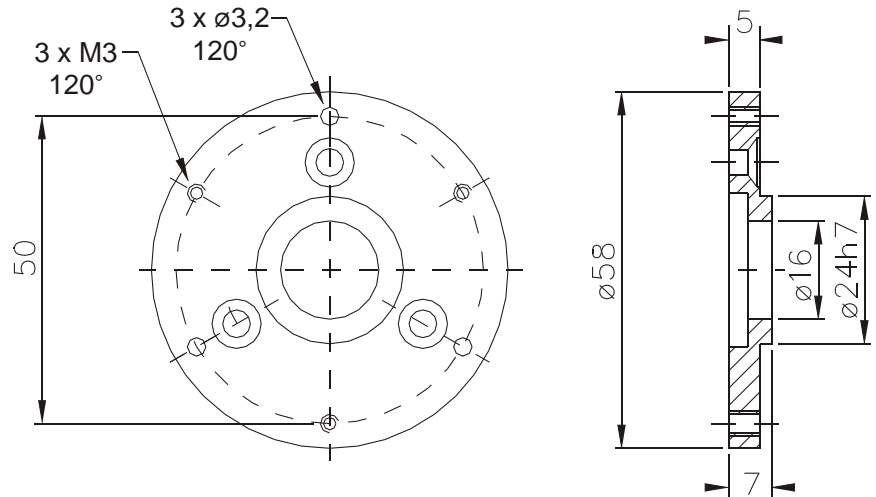


Flange type : $\varnothing 60 \times \varnothing 60$. For encoder type : 2R



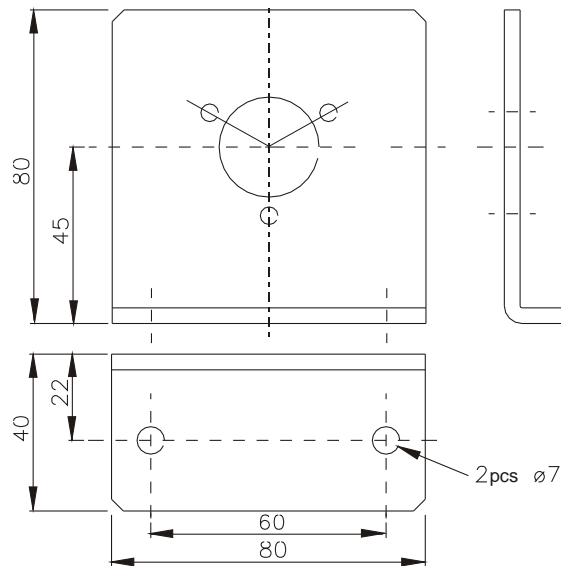
| TYPE | Order no. |
|--|-----------|
| $\varnothing 60 \times \varnothing 60$ | 00136014 |

Flange type : $\varnothing 58$. For encoder type : 2R



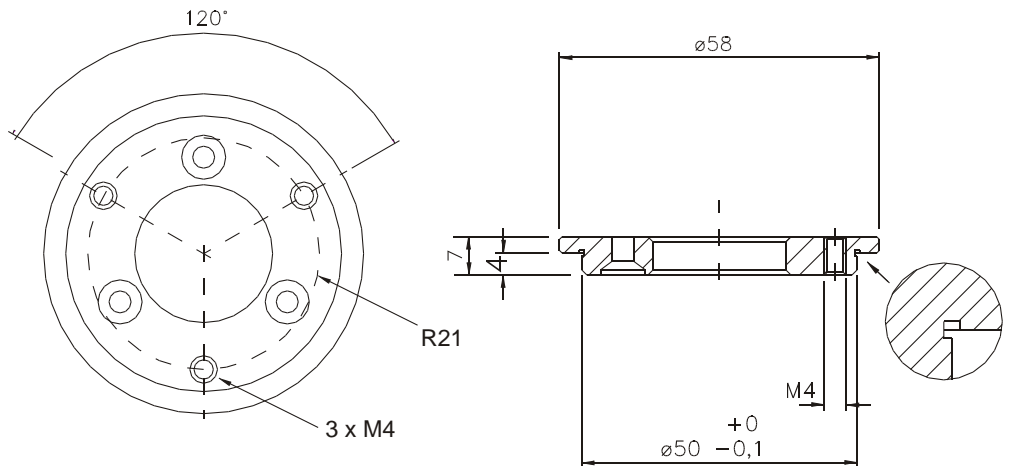
| TYPE | Order no. |
|------------------|-----------|
| $\varnothing 58$ | 00142384 |

Flange type : Angular flange. For encoder type : 2R



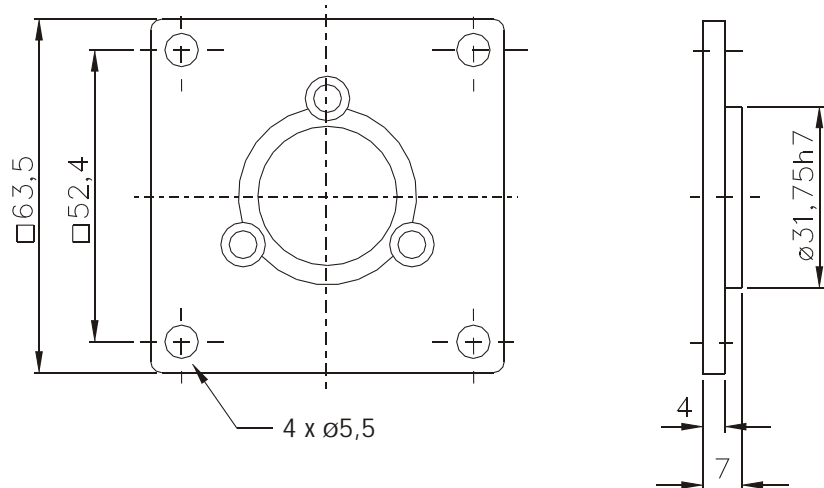
| TYPE | Order no. |
|---------|-----------|
| Angular | 00143563 |

Flange type : Synkronflange \varnothing 58. For encoder type : 2R



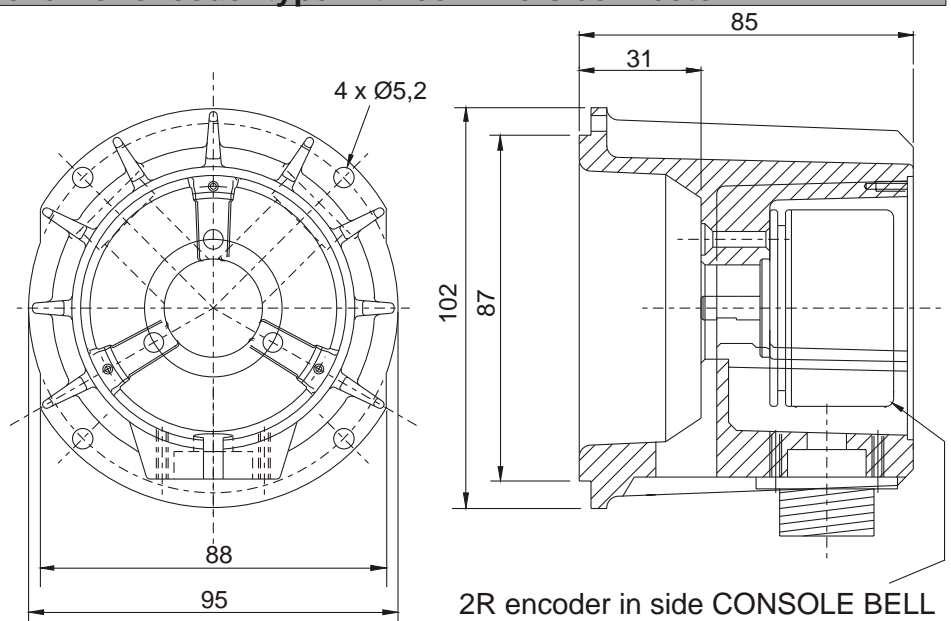
| TYPE | Order no. |
|---------|-----------|
| Synkron | 00143590 |

Flange type : Square flange. For encoder type : 2R



| TYPE | Order no. |
|--------|-----------|
| Square | 00132742 |

Console: Mountcover for encoder type with coninvers connector



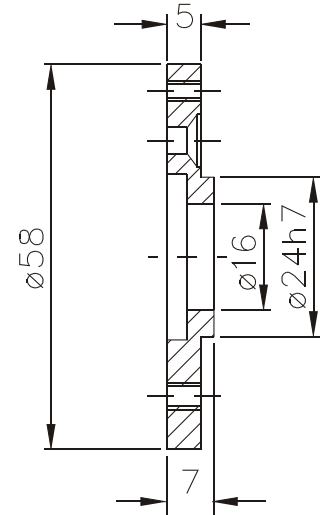
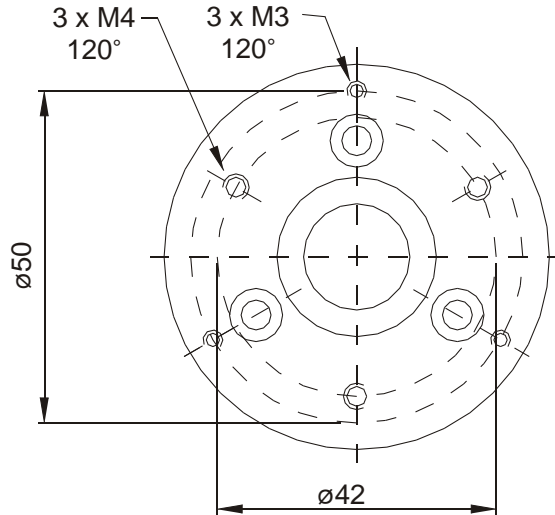
7 PIN

| TYPE | Order no. |
|---------|-----------|
| Console | 80136128 |

12 PIN

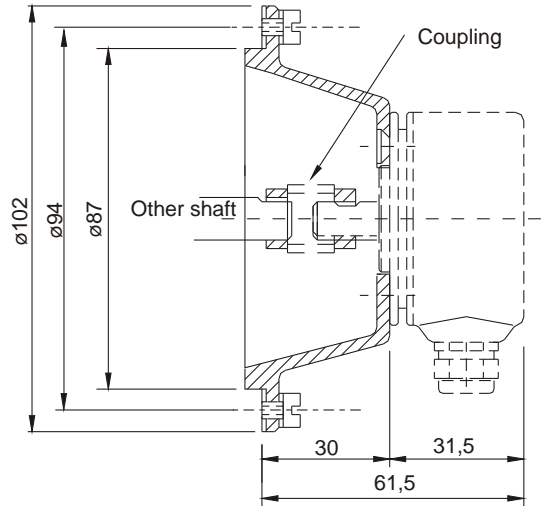
| TYPE | Order no. |
|---------|-----------|
| Console | 80136129 |

Flange type : type 63 (ø58 mm). For encoder type : 2R



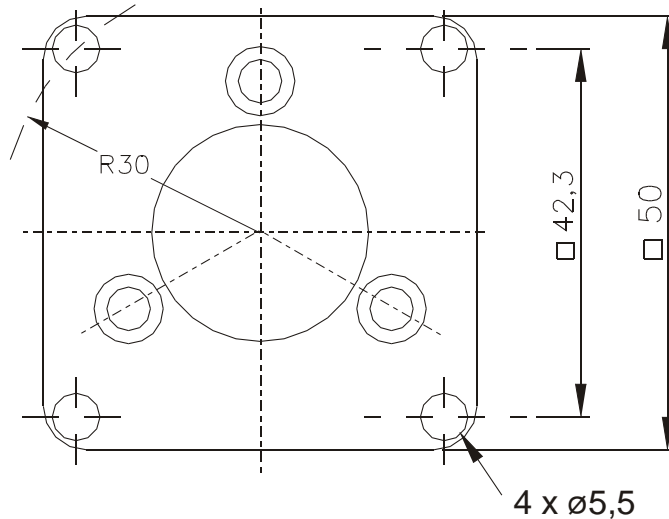
| TYPE | Order no. |
|------|-----------|
| 63 | 00142792 |

Flange type : Console ø 102 mm for Servomotor. For encoder type : 2R



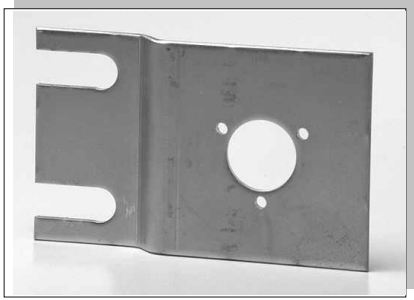
| TYPE | Order no. |
|---------|-----------|
| Console | 00139112 |

Flange type : Scancon standard flange. For encoder type : 2R

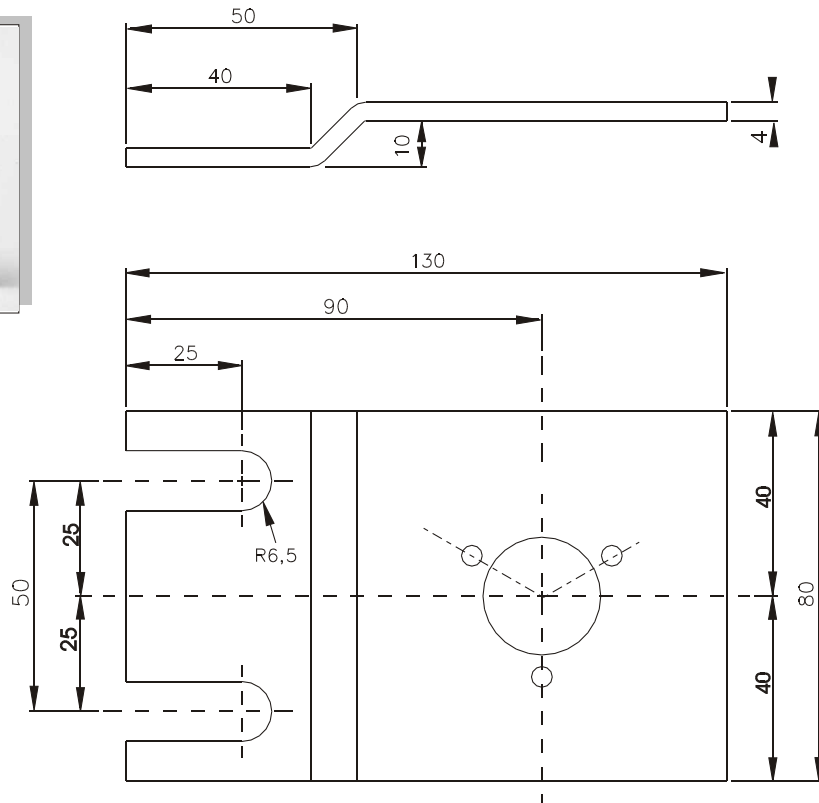


| TYPE | Order no. |
|----------|-----------|
| Standard | 00131945 |

Flange type : Console flange. For encoder type : 2R



| TYPE | Order no. |
|---------|-----------|
| Console | 00143562 |

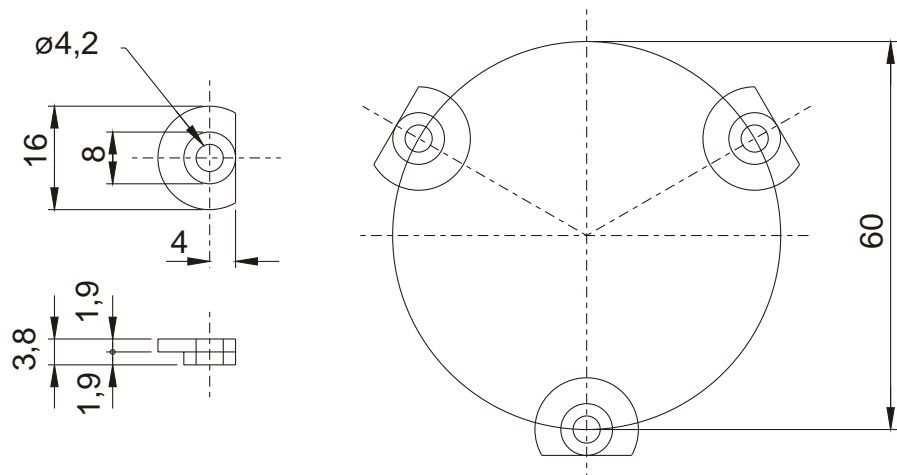


Mounting clamps: For encoder type : 2R

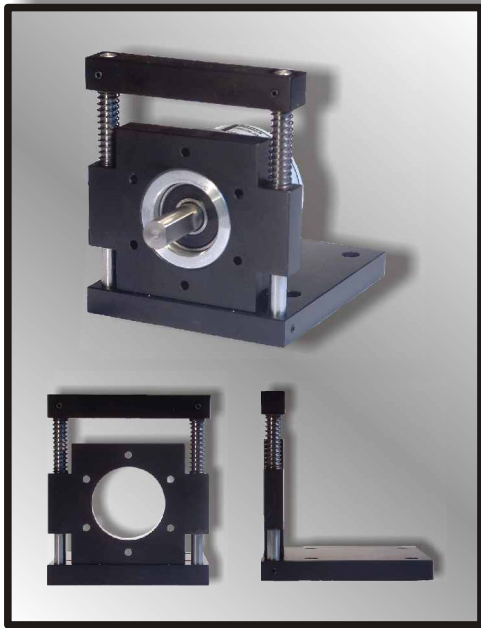


2R
2RS

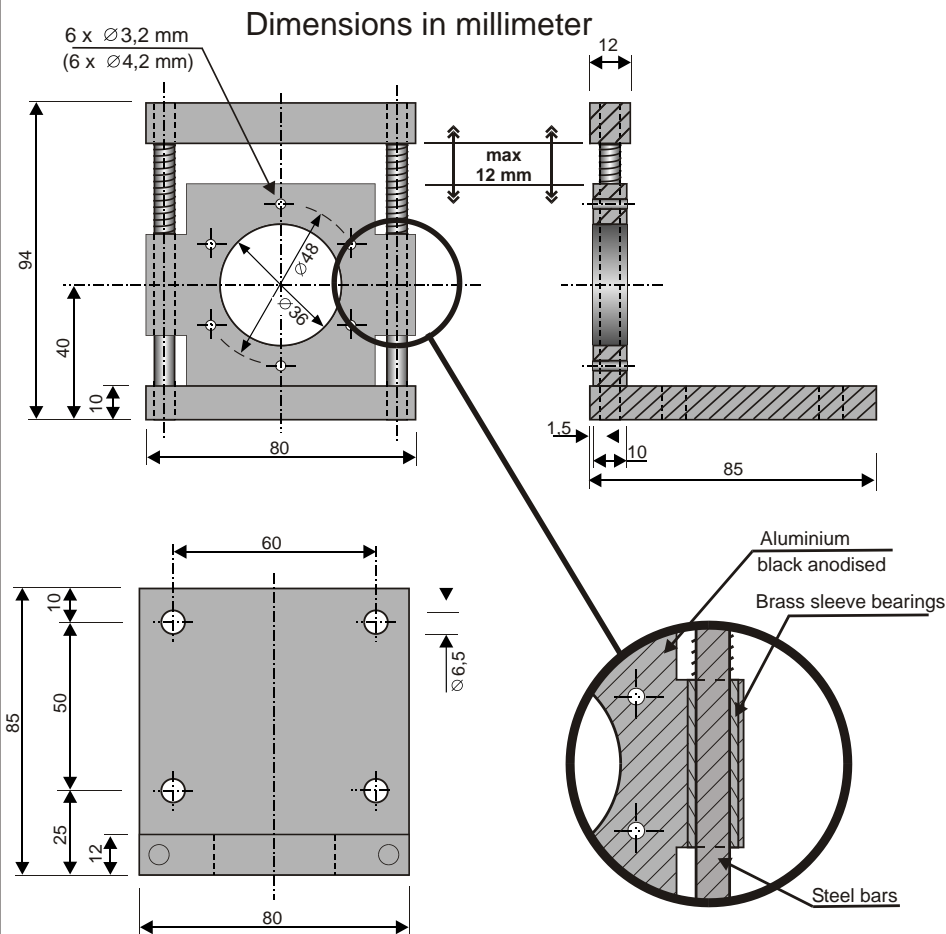
| TYPE | Order no. |
|--------|-----------|
| Clamps | 00145085 |



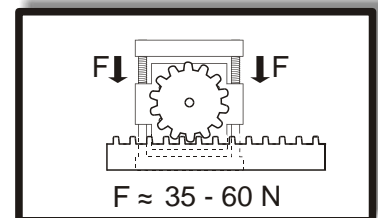
Angle plate with pressure springs WF-58



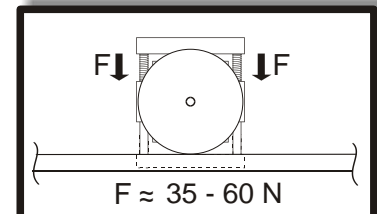
Angle plate for encoder type: 2RK or SCA58-G.
The springs keep a constant pressure on the object the wheel is measuring.



With gear-wheel



With measuring wheel





CHARACTERISTICS

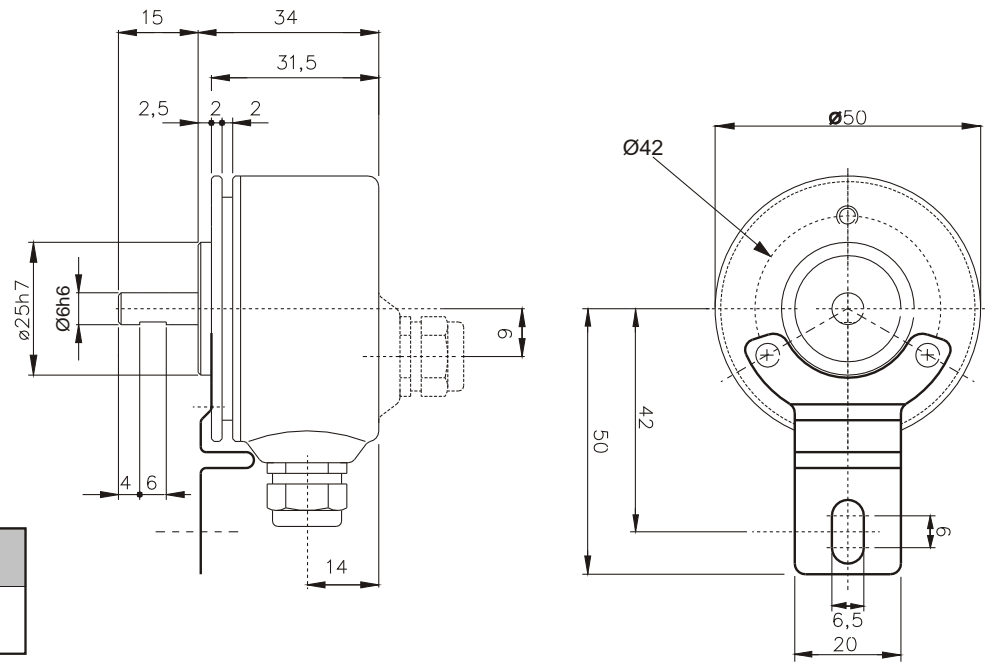
SPRING COUPLING FOR ENCODER TYPE 2R

For use as a spring coupling or flange

Material : AISI 301 (*Inox spring steel*)

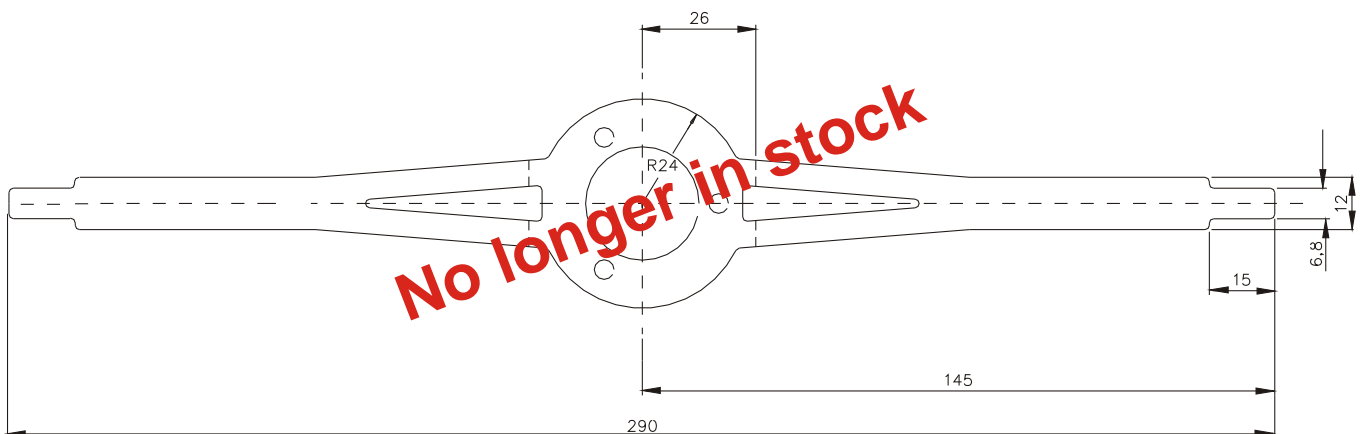
MECHANICAL DIMENSIONS FOR Y-Coupling

Y-Coupling



| TYPE | Order no. |
|-------------------|-----------|
| Y-coupling for 2R | 70137438 |

Part No. 00136723



No longer in stock